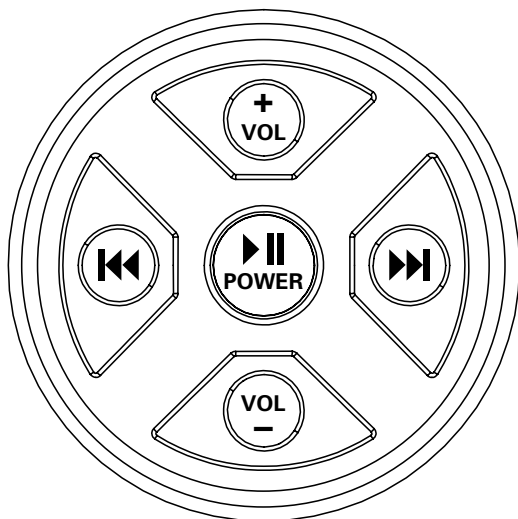




**THUNDER**  
**SPORTS™**



**OWNER'S MANUAL**  
**MUDBTRC**  
**BLUETOOTH REMOTE CONTROL**



## **IMPORTANT NOTICE**

If you have any questions regarding wire routing in a vehicle, please contact MTX Technical Support at 1-800-225-5689.

When connecting power and ground wires ensure that the yellow power wire is fused at the point where it is connected to the vehicle's battery. Failure to do so can result in damage to the vehicle if a short circuit develops between the vehicle connection point and the product.

## **PRODUCT INFORMATION**

Model # \_\_\_\_\_

Serial # \_\_\_\_\_

Dealer's Name \_\_\_\_\_

Date of Purchase \_\_\_\_\_

## **IN THE BOX**

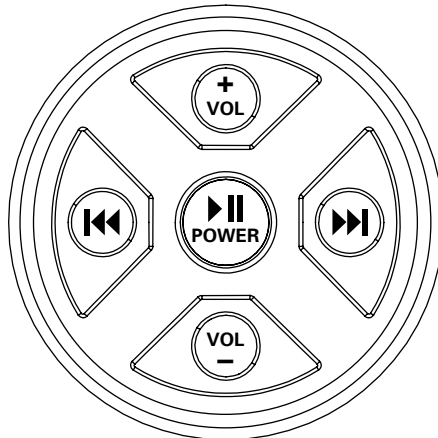
- Bluetooth Remote Control
- Installation Cables (Power/Ground/Accessory) 1 Meter
- Mounting Adapters

## **INTRODUCTION**

Thank you for purchasing this MTX Audio Bluetooth Remote Control that is designed to work with most Bluetooth enabled devices including iPhone® and Android® smartphones and tablets. This easy to install and use all in one unit is capable of transforming your Bluetooth enabled mobile device into the center of your vehicle's audio system. Designed to mount a variety of vehicles and able to work with most amplifiers, the MUDBTRC can be used on motorcycles, side-by-sides, boats, cars, or trucks. Congratulations and enjoy the ultimate audio experience with MTX!

## **FEATURES**

- Bluetooth Receiver and Remote Control
- Three Mounting Options - Surface, Flush, or Clamp
- Includes Power, Ground, and Output Connections
- Weather-Proof Design
- Five Front Panel Touch Controls
- Works with Most Bluetooth Devices Including Smartphones and Tablets



## REMOTE OPERATION

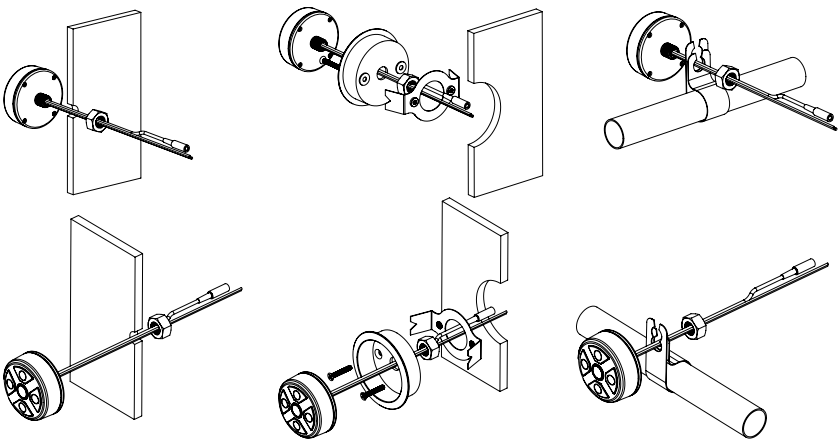
1. Play/Pause - The Play/Pause button gives you the ability to play or to pause the current track with a single press. Holding the Play/Power button for 2 seconds will turn the unit On if currently Off or Off if currently powered On. The unit will beep to indicate when power is turned Off.

### Note:

- The unit will stay on indefinitely as long as a Bluetooth device is actively paired to the MUDBTRC.
  - The unit will turn Off after 5 minutes when there is no active Bluetooth device connection.
  - The Play/Pause button will illuminate when the unit is powered On.
  - The Play/Pause button will blink when the music track is paused.
2. Track Forward and Track Back - The unit will switch audio tracks being played by pressing the track forward and track back buttons. Pressing and holding these buttons for 2 seconds will fast forward or rewind the audio track that is being played.
3. Volume Up and Volume Down - These buttons will turn up or turn down the output of the Bluetooth unit so any external connected amplifier output will go up or down accordingly. When the unit has reached the minimum or maximum output level, the unit will beep to indicate that no further adjustment is possible.
4. Bluetooth Auto-Pair Mode
- Turn the unit On.
  - Search for MTX REMOTE from your device's Bluetooth menu
  - Select Pair.

## INSTALLATION

The MUDBTRC can be used with any external 12-volt amplifier and can be mounted in a variety of ways using the included hardware. The unit has three wires in its wiring pigtail. The red wire, hot, should be directly connected to the vehicle's positive battery terminal, the black wire, ground, should be connected directly to the vehicle's chassis where paint has been removed or the negative terminal on the battery, and the blue wire, remote, should be connected to the remote wire input on the external amplifier being used. When the MUDBTRC is powered On, a remote signal will be sent from the MUDBTRC to the connected amplifier, turning it On.



The unit can be surface, flush, or clamp mounted using the included hardware.



© 2014 Mitek Corporation. All rights reserved. MTX is a trademark of Mitek Corporation. Designed and Engineered in the U.S.A.

Due to continual product development, all specifications are subject to change without notice.

MTX Audio, 4545 East Baseline Rd. Phoenix, AZ 85042 U.S.A. 1-800-225-5689

MTX005074 RevA 12/14 • 21A10198 • AW0014782