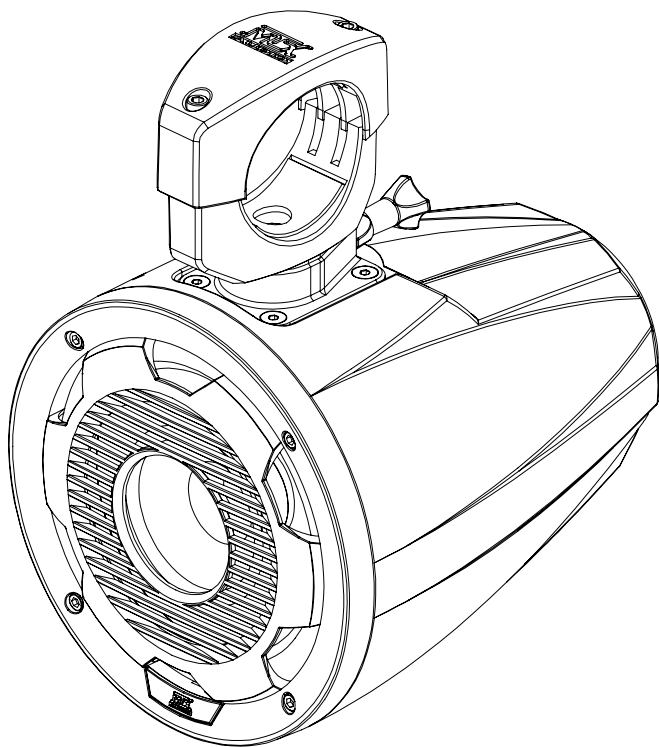




**THUNDER**  
MARINE™



**OWNER'S MANUAL  
WET8CWB  
COMPRESSION DRIVER TOWER SPEAKER**

## **PRODUCT INFORMATION**

Model # \_\_\_\_\_  
Serial # \_\_\_\_\_  
Dealer's Name \_\_\_\_\_  
Date of Purchase \_\_\_\_\_

## **IN THE BOX**

- Speaker and Enclosure
- Wire Harness
- Top and Bottom Brackets
- 28mm Bolt M6 - Allen Head (qty.2)
- 45mm Bolt M6 - Allen Head (qty.2)

## **INTRODUCTION**

Thank you for purchasing this MTX Audio 4Ω Compression Driver Tower Speaker. This high performance tower speaker features an 8" woofer and 1" high compression driver designed to deliver exceptional sound quality and volume for high output systems and those that love to hear their music wherever they are. Congratulations and enjoy the ultimate audio experience with MTX!

## **FEATURES**

- Weather Resistant Enclosure
- Fits Bars Between 2" and 3"
- Polypropylene Woofer and High Frequency Compression Driver
- Internal Crossover Network
- ABS Impact Resistant Grille with UV Inhibitor
- Tested 500hrs to ASTM B117, D4329 Standard

## **INSTALLATION**

1. Determine the size of the pipe you are mounting the bracket to. If the pipe is 2" - 2-¼", use the included 28mm mounting bolts. If the pipe is 2-¼" - 3", use the included 45mm mounting bolts.
2. Position the bottom mounting bracket where the speaker will be placed, and mark the wire hole using the bottom bracket hole as a guide.



- 3 Drill a 5/8" hole where the mark was made. The speaker wire/dome light and LED logo power wire will be passed through this hole. Place a grommet in the drilled hole so the wire will not be damaged by the sharp edge of the pipe.



4. Pull the wires through the bar that the WET8CWB is being mounted to. Pull the wire harness wire through the bottom of the bracket. The white connector should be on the bottom side of the bottom bracket.



5. Attach the power and signal wires from the vehicle to the included wire harness that was pulled through the bottom bracket. Pull back the wires so only 2" of slack protrude from the bottom bracket. If too much wire is hanging out it won't fit well in the internal enclosure recess (the wire may bind and cause a short, take care to not get any wire caught in the locking mechanism).

The Dome light and Logo illumination run on 12V DC power. Both have a very low current draw, but it is suggested they be wired to a switch or relay so they will not drain the battery if left on.



6. Tighten the bottom bracket to the top bracket using the associated mounting bolts.
7. Tighten the bolts evenly until the bracket is tight and does not move. It is suggested to add blue thread lock to ensure the bolts do not loosen.



8. Take the WET8CW8 enclosure and connect the wire harness to the plug that hangs out of the internal mount recess. Carefully push the connector into the mounting area and place the WET8CW8 on the bracket shaft area. Make sure to not pinch or crush the wires or connector.



9. Hand tighten the adjustment knob to the desired speaker direction. Tighten the adjustment knob by placing the included tool through the holes and torquing the adjustment knob down securely.



10. Tighten the locking knob by hand. Next use an 18mm open end wrench to tighten down the lock knob so it won't move. Using the 18mm wrench will ensure enough torque is applied to keep the unit from loosening.



11. Turn up to 11 and enjoy the incredible sound of Thunder.  
12. To remove the speakers reverse this process.

### **WIRE COLOR**

Grey / Black - +/- speaker wire  
Red / Black - +/- dome light power wire  
Yellow / Black - +/- Logo illumination

Dome light current draw - 230mA  
Logo light illumination current draw - 70mA  
Total illumination current draw - 300mA

### **SPECIFICATIONS**

Power Handling: 200 Watts RMS, 400 Watts Peak Power  
Sensitivity (2.83V / 1m): 97.34dB  
Sensitivity (1W / 1m): 94.3dB  
Frequency Response: 20Hz - 20kHz  
Impedance: 4Ω  
Fits Bars 2" - 3"

**NOTES:**

---

---

---

---

---

---

---

---

---

---

---

---

---

---

---

---

---

---

---

---

---

---

---

**NOTES:**

---

---

---

---

---

---

---

---

---

---

---

---

---

---

---

---

---

---

---

---

---

---

---

---



© 2015 Mitek Corporation. All rights reserved. MTX is a trademark of Mitek Corporation. Designed and Engineered in the U.S.A.

Due to continual product development, all specifications are subject to change without notice.

MTX Audio, 4545 East Baseline Rd. Phoenix, AZ 85042 U.S.A. 1-800-225-5689

MTX005137 RevB 7/15 • 21A10429 • AW0015155